



SEALS UK LTD

- Part of Diploma PLC

M Seals UK Ltd,
Quartz Close, Enderby,
Leicester, LE19 4SG.

T: 0116 275 4720

F: 0116 275 4721

E: sales@m-seals.co.uk

W: www.m-seals.co.uk

D1400 Metric External Circlips - For Shafts - DIN 471

Ref. Number	Nominal Diameter (d1)	Thickness (s)	Tolerance	Circlip Dimensions		Lug (a) max	Beam (b)~	Lug Hole (d5) min	Groove Dimensions					Shoulder Length (n)	Pliers
				Unstressed Diameter (d3)	Tolerance				Groove Diameter (d2)	Tolerance	Min Groove Width (m)	Radial Depth (t)			
0030	3	0.40	- 0.05	2.7		1.9	0.8	1.0	0.017	2.8	- 0.04	0.50	0.10	HA 0	
0040	4	0.40	- 0.05	3.7	+ 0.04	2.2	0.9	1.0	0.022	3.8	- 0.04	0.50	0.10	HA 0	
0050	5	0.60	- 0.05	4.7	/ - 0.15	2.5	1.1	1.0	0.066	4.8	- 0.04	0.70	0.10	HA 0	
0060	6	0.70	- 0.05	5.6		2.7	1.3	1.2	0.084	5.7	- 0.04	0.80	0.15	HA 0	
0070	7	0.80	- 0.05	6.5	+ 0.06	3.1	1.4	1.2	0.121	6.7	- 0.06	0.90	0.15	HA 0	
0080	8	0.80	- 0.05	7.4	- 0.18	3.2	1.5	1.2	0.158	7.6	- 0.06	0.90	0.20	HA 0	
0090	9	1.00	- 0.06	8.4		3.3	1.7	1.2	0.300	8.6	- 0.06	1.10	0.20	HA 0	
0100	10	1.00	- 0.06	9.3		3.3	1.8	1.5	0.340	9.6	- 0.11	1.10	0.20	HA 1	
0110	11	1.00	- 0.06	10.2		3.3	1.8	1.5	0.410	10.5	- 0.11	1.10	0.25	HA 1	
0120	12	1.00	- 0.06	11.0		3.3	1.8	1.7	0.500	11.5	- 0.11	1.10	0.25	HA 1	
0130	13	1.00	- 0.06	11.9		3.4	2.0	1.7	0.530	12.4	- 0.11	1.10	0.30	HA 1	
0140	14	1.00	- 0.06	12.9	+ 0.10	3.5	2.1	1.7	0.640	13.4	- 0.11	1.10	0.30	HA 1	
0150	15	1.00	- 0.06	13.8	- 0.36	3.6	2.2	1.7	0.670	14.3	- 0.11	1.10	0.35	HA 1	
0160	16	1.00	- 0.06	14.7		3.7	2.2	1.7	0.700	15.2	- 0.11	1.10	0.40	HA 1	
0170	17	1.00	- 0.06	15.7		3.8	2.3	1.7	0.820	16.2	- 0.11	1.10	0.40	HA 1	
0180	18	1.20	- 0.06	16.5		3.9	2.4	2.0	1.110	17.0	- 0.11	1.30	0.50	HA 2	
0190	19	1.20	- 0.06	17.5		3.9	2.5	2.0	1.220	18.0	- 0.11	1.30	0.50	HA 2	
0200	20	1.20	- 0.06	18.5		4.0	2.6	2.0	1.300	19.0	- 0.13	1.30	0.50	HA 2	
0210	21	1.20	- 0.06	19.5		4.1	2.7	2.0	1.420	20.0	- 0.13	1.30	0.50	HA 2	
0220	22	1.20	- 0.06	20.5		4.2	2.8	2.0	1.500	21.0	- 0.13	1.30	0.50	HA 2	
0230	23	1.20	- 0.06	21.5		4.3	2.9	2.0	1.630	22.0	- 0.15	1.30	0.50	HA 2	
0240	24	1.20	- 0.06	22.2		4.4	3.0	2.0	1.770	22.9	- 0.21	1.30	0.55	HA 2	
0250	25	1.20	- 0.06	23.2	+ 0.21	4.4	3.0	2.0	1.900	23.9	- 0.21	1.30	0.55	HA 2	
0260	26	1.20	- 0.06	24.2	- 0.42	4.5	3.1	2.0	1.960	24.9	- 0.21	1.30	0.55	HA 2	
0270	27	1.20	- 0.06	24.9		4.6	3.1	2.0	2.080	25.6	- 0.21	1.30	0.70	HA 2	
0280	28	1.50	- 0.06	25.9		4.7	3.2	2.0	2.920	26.6	- 0.21	1.60	0.70	HA 2	
0290	29	1.50	- 0.06	26.9		4.8	3.4	2.0	3.200	27.6	- 0.21	1.60	0.70	HA 2	
0300	30	1.50	- 0.06	27.9		5.0	3.5	2.0	3.320	28.6	- 0.21	1.60	0.70	HA 2	
0310	31	1.50	- 0.06	28.6		5.1	3.5	2.5	3.450	29.3	- 0.21	1.60	0.85	HA 2	
0320	32	1.50	- 0.06	29.6		5.2	3.6	2.5	3.540	30.3	- 0.25	1.60	0.85	HA 2	
0330	33	1.50	- 0.06	30.5	+ 0.25	5.2	3.7	2.5	3.690	31.3	- 0.25	1.60	0.85	HA 2	
0340	34	1.50	- 0.06	31.5	- 0.50	5.4	3.8	2.5	3.800	32.3	- 0.25	1.60	0.85	HA 2	
0350	35	1.50	- 0.06	32.2		5.6	3.9	2.5	4.000	33.0	- 0.25	1.60	1.00	HA 2	
0360	36	1.75	- 0.06	33.2		5.6	4.0	2.5	5.000	34.0	- 0.25	1.85	1.00	HA 2	
0370	37	1.75	- 0.06	34.2		5.7	4.1	2.5	5.370	35.0	- 0.25	1.85	1.00	HA 2	
0380	38	1.75	- 0.06	35.2		5.8	4.2	2.5	5.620	36.0	- 0.25	1.85	1.00	HA 2	
0390	39	1.75	- 0.06	36.0		5.9	4.3	2.5	5.850	37.0	- 0.25	1.85	1.00	HA 2	
0400	40	1.75	- 0.06	36.5		6.0	4.4	2.5	6.030	37.5	- 0.25	1.85	1.25	HA 3	
0410	41	1.75	- 0.06	37.5		6.2	4.5	2.5	6.215	38.5	- 0.25	1.85	1.25	HA 3	
0420	42	1.75	- 0.06	38.5		6.5	4.5	2.5	6.500	39.5	- 0.25	1.85	1.25	HA 3	
0440	44	1.75	- 0.06	40.5		6.6	4.6	2.5	7.000	41.5	- 0.25	1.85	1.25	HA 3	
0450	45	1.75	- 0.06	41.5	+ 0.39	6.7	4.7	2.5	7.500	42.5	- 0.25	1.85	1.25	HA 3	
0460	46	1.75	- 0.06	42.5	- 0.9	6.7	4.8	2.5	7.600	43.5	- 0.25	1.85	1.25	HA 3	
0470	47	1.75	- 0.06	43.5		6.8	4.9	2.5	7.500	44.5	- 0.25	1.85	1.25	HA 3	
0480	48	1.75	- 0.06	44.5		6.9	5.0	2.5	7.900	45.5	- 0.25	1.85	1.25	HA 3	
0500	50	2.00	- 0.07	45.8		6.9	5.1	2.5	10.200	47.0	- 0.25	2.15	1.50	HA 3	
0520	52	2.00	- 0.07	47.8		7.0	5.2	2.5	11.100	49.0	- 0.25	2.15	1.50	HA 3	
0540	54	2.00	- 0.07	49.8		7.1	5.3	2.5	11.300	51.0	- 0.30	2.15	1.50	HA 3	
0550	55	2.00	- 0.07	50.8		7.2	5.4	2.5	11.400	52.0	- 0.30	2.15	1.50	HA 3	
0560	56	2.00	- 0.07	51.8		7.3	5.5	2.5	11.800	53.0	- 0.30	2.15	1.50	HA 3	
0570	57	2.00	- 0.07	52.8		7.3	5.5	2.5	12.200	54.0	- 0.30	2.15	1.50	HA 3	
0580	58	2.00	- 0.07	53.8		7.3	5.6	2.5	12.600	55.0	- 0.30	2.15	1.50	HA 3	
0600	60	2.00	- 0.07	55.8		7.4	5.8	2.5	12.900	57.0	- 0.30	2.15	1.50	HA 3	
0620	62	2.00	- 0.07	57.8		7.5	6.0	2.5	14.300	59.0	- 0.30	2.15	1.50	HA 3	
0630	63	2.00	- 0.07	58.8		7.6	6.2	2.5	15.900	60.0	- 0.30	2.15	1.50	HA 3	
0650	65	2.50	- 0.07	60.8		7.8	6.3	3.0	18.200	62.0	- 0.30	2.65	1.50	HA 3	
0670	67	2.50	- 0.07	62.5	+ 0.46	7.9	6.4	3.0	20.300	64.0	- 0.30	2.65	1.50	HA 3	
0680	68	2.50	- 0.07	63.5	- 1.10	8.0	6.5	3.0	21.800	65.0	- 0.30	2.65	1.50	HA 3	
0700	70	2.50	- 0.07	65.5		8.1	6.6	3.0	22.000	67.0	- 0.30	2.65	1.50	HA 3	
0720	72	2.50	- 0.07	67.5		8.2	6.8	3.0	22.500	69.0	- 0.30	2.65	1.50	HA 3	
0750	75	2.50	- 0.07	70.5		8.4	7.0	3.0	24.600	72.0	- 0.30	2.65	1.50	HA 3	
0770	77	2.50	- 0.07	72.5		8.5	7.2	3.0	25.700	74.0	- 0.30	2.65	1.50	HA 3	
0780	78	2.50	- 0.07	73.5		8.6	7.3	3.0	26.200	75.0	- 0.30	2.65	1.50	HA 3	
0800	80	2.50	- 0.07	74.5		8.6	7.4	3.0	27.300	76.5	- 0.30	2.65	1.75	HA 3	
0820	82	2.50	- 0.07	76.5		8.7	7.6	3.0	31.200	78.5	- 0.30	2.65	1.75	HA 3	
0850	85	3.00	- 0.08	79.5		8.7	7.8	3.5	36.400	81.5	- 0.35	3.15	1.75	HA 4	



SEALS UK LTD

- Part of Diploma PLC

M Seals UK Ltd,
Quartz Close, Enderby,
Leicester, LE19 4SG.

T: 0116 275 4720

F: 0116 275 4721

E: sales@m-seals.co.uk

W: www.m-seals.co.uk

D1400 CONTINUED

Ref. Number	Nominal Diameter (d1)	Thick-ness (s)	Tolerance	Circlip Dimensions				Groove Dimensions						Pliers
				Unstressed Diameter (d3)	Tolerance	Lug (a) max	Beam (b)~	Lug Hole (d5) min	Groove Diameter (d2)	Tolerance	Min Groove Width (m)	Radial Depth (t)	Shoulder Length (n)	
0870	87	3.00	- 0.08	81.5	+ 0.54 - 1.30	8.8	7.9	3.5	39.800	83.5	- 0.35	3.15	1.75	HA 4
0880	88	3.00	- 0.08	82.5		8.8	8.0	3.5	41.200	84.5	- 0.35	3.15	1.75	HA 4
0900	90	3.00	- 0.08	84.5		8.8	8.2	3.5	44.500	86.5	- 0.35	3.15	1.75	HA 4
0920	92	3.00	- 0.08	86.5		9.0	8.4	3.5	46.000	88.5	- 0.35	3.15	1.75	HA 4
0950	95	3.00	- 0.08	89.5		9.4	8.6	3.5	49.000	91.5	- 0.35	3.15	1.75	HA 4
0970	97	3.00	- 0.08	91.5		9.4	8.8	3.5	50.200	93.5	- 0.35	3.15	1.75	HA 4
0980	98	3.00	- 0.08	91.5		9.4	8.8	3.5	50.200	94.5	- 0.35	3.15	1.75	HA 4
1000	100	3.00	- 0.08	94.5		9.6	9.0	3.5	53.700	96.5	- 0.35	3.15	1.75	HA 4
1020	102	4.00	- 0.10	95.0		9.7	9.2	3.5	78.000	98.0	- 0.54	4.15	2.00	HA 4
1050	105	4.00	- 0.10	98.0		9.9	9.3	3.5	80.000	101.0	- 0.54	4.15	2.00	HA 4
1070	107	4.00	- 0.10	100.0		10.0	9.5	3.5	81.000	103.0	- 0.54	4.15	2.00	HA 4
1080	108	4.00	- 0.10	100.0		10.0	9.5	3.5	81.000	104.0	- 0.54	4.15	2.00	HA 4
1100	110	4.00	- 0.10	103.0		10.1	9.6	3.5	82.000	106.0	- 0.54	4.15	2.00	HA 4
1120	112	4.00	- 0.10	105.0		10.3	9.7	3.5	83.000	108.0	- 0.54	4.15	2.00	HA 4
1150	115	4.00	- 0.10	108.0		10.6	9.8	3.5	84.000	111.0	- 0.54	4.15	2.00	HA 4
1170	117	4.00	- 0.10	110.0		10.8	10.0	3.5	85.000	113.0	- 0.54	4.15	2.00	HA 4
1180	118	4.00	- 0.10	110.0		10.8	10.0	3.5	85.000	114.0	- 0.54	4.15	2.00	HA 4
1200	120	4.00	- 0.10	113.0		11.0	10.2	3.5	86.000	116.0	- 0.54	4.15	2.00	HA 4
1220	122	4.00	- 0.10	115.0		11.2	10.3	4.0	88.000	118.0	- 0.54	4.15	2.00	HA 5
1250	125	4.00	- 0.10	118.0		11.4	10.4	4.0	90.000	121.0	- 0.63	4.15	2.00	HA 5
1270	127	4.00	- 0.10	120.0		11.4	10.5	4.0	95.000	123.0	- 0.63	4.15	2.00	HA 5
1280	128	4.00	- 0.10	120.0		11.4	10.5	4.0	95.000	124.0	- 0.63	4.15	2.00	HA 5
1300	130	4.00	- 0.10	123.0		11.6	10.7	4.0	100.000	126.0	- 0.63	4.15	2.00	HA 5
1320	132	4.00	- 0.10	125.0		11.7	10.8	4.0	103.000	128.0	- 0.63	4.15	2.00	HA 5
1350	135	4.00	- 0.10	128.0		11.8	11.0	4.0	104.000	131.0	- 0.63	4.15	2.00	HA 5
1370	137	4.00	- 0.10	130.0		11.9	11.0	4.0	107.000	133.0	- 0.63	4.15	2.00	HA 5
1380	138	4.00	- 0.10	130.0		11.9	11.0	4.0	107.000	134.0	- 0.63	4.15	2.00	HA 5
1400	140	4.00	- 0.10	133.0		12.0	11.2	4.0	110.000	136.0	- 0.63	4.15	2.00	HA 5
1420	142	4.00	- 0.10	135.0		12.1	11.3	4.0	112.000	138.0	- 0.63	4.15	2.00	HA 5
1450	145	4.00	- 0.10	138.0		12.2	11.5	4.0	115.000	141.0	- 0.63	4.15	2.00	HA 5
1470	147	4.00	- 0.10	140.0		12.3	11.6	4.0	116.000	143.0	- 0.63	4.15	2.00	HA 5
1480	148	4.00	- 0.10	140.0		12.3	11.6	4.0	116.000	144.0	- 0.63	4.15	2.00	HA 5
1500	150	4.00	- 0.10	142.0		13.0	11.8	4.0	120.000	145.0	- 0.63	4.15	2.50	HA 5
1520	152	4.00	- 0.10	143.0		13.0	11.9	4.0	128.000	147.0	- 0.63	4.15	2.50	HA 5
1550	155	4.00	- 0.10	146.0		13.0	12.0	4.0	135.000	150.0	- 0.63	4.15	2.50	HA 5
1570	157	4.00	- 0.10	148.0		13.1	12.0	4.0	140.000	152.0	- 0.63	4.15	2.50	HA 5
1580	158	4.00	- 0.10	148.0		13.1	12.0	4.0	140.000	153.0	- 0.63	4.15	2.50	HA 5
1600	160	4.00	- 0.10	151.0		13.3	12.2	4.0	150.000	155.0	- 0.63	4.15	2.50	HA 5
1620	162	4.00	- 0.10	152.5		13.3	12.3	4.0	155.000	157.0	- 0.63	4.15	2.50	HA 5
1650	165	4.00	- 0.10	155.5		13.5	12.5	4.0	160.000	160.0	- 0.63	4.15	2.50	HA 5
1670	167	4.00	- 0.10	157.5	13.5	12.9	4.0	163.000	162.0	- 0.63	4.15	2.50	HA 5	
1680	168	4.00	- 0.10	157.5	13.5	12.9	4.0	163.000	163.0	- 0.63	4.15	2.50	HA 5	
1700	170	4.00	- 0.10	160.5	13.5	12.9	4.0	170.000	165.0	- 0.63	4.15	2.50	HA 5	
1720	172	4.00	- 0.10	160.5	13.5	12.9	4.0	170.000	167.0	- 0.63	4.15	2.50	HA 5	
1750	175	4.00	- 0.10	165.5	13.5	12.9	4.0	180.000	170.0	- 0.63	4.15	2.50	HA 5	
1770	177	4.00	- 0.10	167.5	14.2	13.5	4.0	183.000	172.0	- 0.63	4.15	2.50	HA 5	
1780	178	4.00	- 0.10	167.5	14.2	13.5	4.0	183.000	173.0	- 0.63	4.15	2.50	HA 5	
1800	180	4.00	- 0.10	170.5	14.2	13.5	4.0	190.000	175.0	- 0.63	4.15	2.50	HA 5	
1820	182	4.00	- 0.10	170.5	14.2	13.5	4.0	190.000	177.0	- 0.63	4.15	2.50	HA 5	
1850	185	4.00	- 0.10	175.5	14.2	13.5	4.0	200.000	180.0	- 0.63	4.15	2.50	HA 5	
1870	187	4.00	- 0.10	177.5	14.2	14.0	4.0	203.000	182.0	- 0.72	4.15	2.50	HA 5	
1880	188	4.00	- 0.10	177.5	14.2	14.0	4.0	203.000	183.0	- 0.72	4.15	2.50	HA 5	



SEALS UK LTD

- Part of Diploma PLC

M Seals UK Ltd,
Quartz Close, Enderby,
Leicester, LE19 4SG.

T: 0116 275 4720

F: 0116 275 4721

E: sales@m-seals.co.uk

W: www.m-seals.co.uk

D1400 CONTINUED

Ref. Number	Nominal Diameter (d1)	Thickness (s)	Tolerance	Circlip Dimensions				Groove Dimensions						
				Unstressed Diameter (d3)	Tolerance	Lug (a) max	Beam (b)~	Lug Hole (d5) min	Groove Diameter (d2)	Tolerance	Min Groove Width (m)	Radial Depth (t)	Shoulder Length (n)	Pliers
1900	190	4.00	- 0.10	180.5		14.2	14.0	4.0	210.000	185.0	- 0.72	4.15	2.50	HA 5
1920	192	4.00	- 0.10	180.5		14.2	14.0	4.0	210.000	187.0	- 0.72	4.15	2.50	HA 5
1950	195	4.00	- 0.10	185.5		14.2	14.0	4.0	220.000	190.0	- 0.72	4.15	2.50	HA 5
1970	197	4.00	- 0.10	187.5		14.2	14.0	4.0	223.000	192.0	- 0.72	4.15	2.50	HA 5
1980	198	4.00	- 0.10	187.5		14.2	14.0	4.0	223.000	193.0	- 0.72	4.15	2.50	HA 5
2000	200	4.00	- 0.10	190.5		14.2	14.0	4.0	230.000	195.0	- 0.72	4.15	2.50	HA 5
2020	202	5.00	- 0.12	193.0		14.2	14.0	4.0	235.000	196.0	- 0.72	5.15	3.00	HA 5
2050	205	5.00	- 0.12	193.0		14.2	14.0	4.0	243.000	199.0	- 0.72	5.15	3.00	HA 5
2070	207	5.00	- 0.12	193.0		14.2	14.0	4.0	243.000	201.0	- 0.72	5.15	3.00	HA 5
2080	208	5.00	- 0.12	193.0		14.2	14.0	4.0	243.000	202.0	- 0.72	5.15	3.00	HA 5
2100	210	5.00	- 0.12	198.0		14.2	14.0	4.0	248.000	204.0	- 0.72	5.15	3.00	HA 5
2120	212	5.00	- 0.12	198.0		14.2	14.0	4.0	248.000	206.0	- 0.72	5.15	3.00	HA 5
2150	215	5.00	- 0.12	203.0		14.2	14.0	4.0	260.000	209.0	- 0.72	5.15	3.00	HA 5
2170	217	5.00	- 0.12	203.0		14.2	14.0	4.0	260.000	211.0	- 0.72	5.15	3.00	HA 5
2180	218	5.00	- 0.12	203.0		14.2	14.0	4.0	260.000	212.0	- 0.72	5.15	3.00	HA 5
2200	220	5.00	- 0.12	208.0		14.2	14.0	4.0	265.000	214.0	- 0.72	5.15	3.00	HA 5
2220	222	5.00	- 0.12	208.0		14.2	14.0	4.0	265.000	216.0	- 0.72	5.15	3.00	HA 5
2250	225	5.00	- 0.12	213.0		14.2	14.0	4.0	280.000	219.0	- 0.72	5.15	3.00	HA 5
2270	227	5.00	- 0.12	213.0		14.2	14.0	4.0	280.000	221.0	- 0.72	5.15	3.00	HA 5
2280	228	5.00	- 0.12	213.0	+ 0.72	14.2	14.0	4.0	280.000	222.0	- 0.72	5.15	3.00	HA 5
2300	230	5.00	- 0.12	218.0	- 1.70	14.2	14.0	4.0	290.000	224.0	- 0.72	5.15	3.00	HA 5
2320	232	5.00	- 0.12	218.0		14.2	14.0	4.0	290.000	226.0	- 0.72	5.15	3.00	HA 5
2350	235	5.00	- 0.12	223.0		14.2	14.0	4.0	305.000	229.0	- 0.72	5.15	3.00	HA 5
2370	237	5.00	- 0.12	223.0		14.2	14.0	4.0	305.000	231.0	- 0.72	5.15	3.00	HA 5
2380	238	5.00	- 0.12	223.0		14.2	14.0	4.0	305.000	232.0	- 0.72	5.15	3.00	HA 5
2400	240	5.00	- 0.12	228.0		14.2	14.0	4.0	310.000	234.0	- 0.72	5.15	3.00	HA 5
2420	242	5.00	- 0.12	228.0		14.2	14.0	4.0	310.000	236.0	- 0.72	5.15	3.00	HA 5
2450	245	5.00	- 0.12	233.0		14.2	14.0	4.0	325.000	239.0	- 0.72	5.15	3.00	HA 5
2470	247	5.00	- 0.12	233.0		14.2	14.0	4.0	325.000	241.0	- 0.72	5.15	3.00	HA 5
2480	248	5.00	- 0.12	233.0		14.2	14.0	4.0	325.000	242.0	- 0.72	5.15	3.00	HA 5
2500	250	5.00	- 0.12	238.0		14.2	14.0	4.0	335.000	244.0	- 0.72	5.15	3.00	HA 5
2520	252	5.00	- 0.12	238.0		16.2	16.0	5.0	335.000	244.0	- 0.72	5.15	4.00	MAJ
2550	255	5.00	- 0.12	240.0		16.2	16.0	5.0	348.000	247.0	- 0.72	5.15	4.00	MAJ
2570	257	5.00	- 0.12	240.0		16.2	16.0	5.0	348.000	249.0	- 0.72	5.15	4.00	MAJ
2580	258	5.00	- 0.12	240.0		16.2	16.0	5.0	348.000	250.0	- 0.72	5.15	4.00	MAJ
2600	260	5.00	- 0.12	245.0		16.2	16.0	5.0	355.000	252.0	- 0.81	5.15	4.00	MAJ
2620	262	5.00	- 0.12	245.0		16.2	16.0	5.0	355.000	254.0	- 0.81	5.15	4.00	MAJ
2650	265	5.00	- 0.12	250.0		16.2	16.0	5.0	370.000	257.0	- 0.81	5.15	4.00	MAJ
2670	267	5.00	- 0.12	250.0		16.2	16.0	5.0	370.000	259.0	- 0.81	5.15	4.00	MAJ
2680	268	5.00	- 0.12	250.0		16.2	16.0	5.0	370.000	260.0	- 0.81	5.15	4.00	MAJ
2700	270	5.00	- 0.12	255.0		16.2	16.0	5.0	375.000	262.0	- 0.81	5.15	4.00	MAJ
2720	272	5.00	- 0.12	255.0		16.2	16.0	5.0	375.000	264.0	- 0.81	5.15	4.00	MAJ
2750	275	5.00	- 0.12	260.0		16.2	16.0	5.0	390.000	267.0	- 0.81	5.15	4.00	MAJ
2770	277	5.00	- 0.12	260.0		16.2	16.0	5.0	390.000	269.0	- 0.81	5.15	4.00	MAJ
2780	278	5.00	- 0.12	260.0		16.2	16.0	5.0	390.000	270.0	- 0.81	5.15	4.00	MAJ
2800	280	5.00	- 0.12	265.0		16.2	16.0	5.0	398.000	272.0	- 0.81	5.15	4.00	MAJ
2820	282	5.00	- 0.12	265.0		16.2	16.0	5.0	398.000	274.0	- 0.81	5.15	4.00	MAJ
2850	285	5.00	- 0.12	270.0		16.2	16.0	5.0	410.000	277.0	- 0.81	5.15	4.00	MAJ
2870	287	5.00	- 0.12	270.0		16.2	16.0	5.0	410.000	279.0	- 0.81	5.15	4.00	MAJ
2880	288	5.00	- 0.12	270.0		16.2	16.0	5.0	410.000	280.0	- 0.81	5.15	4.00	MAJ
2900	290	5.00	- 0.12	275.0	+ 0.81	16.2	16.0	5.0	418.000	282.0	- 0.81	5.15	4.00	MAJ
2920	292	5.00	- 0.12	275.0	- 2.00	16.2	16.0	5.0	418.000	284.0	- 0.81	5.15	4.00	MAJ
2950	295	5.00	- 0.12	280.0		16.2	16.0	5.0	430.000	287.0	- 0.81	5.15	4.00	MAJ
2970	297	5.00	- 0.12	280.0		16.2	16.0	5.0	430.000	289.0	- 0.81	5.15	4.00	MAJ
2980	298	5.00	- 0.12	280.0		16.2	16.0	5.0	430.000	290.0	- 0.81	5.15	4.00	MAJ
3000	300	5.00	- 0.12	285.0		16.2	16.0	5.0	440.000	292.0	- 0.81	5.15	4.00	MAJ
3050	305	6.00	- 0.15	288.0		n/a	20.0	6.0	738.000	295.0	- 0.81	6.20	5.00	MAJ
3100	310	6.00	- 0.15	293.0		n/a	20.0	6.0	750.000	300.0	- 0.81	6.20	5.00	SMAJ
3150	315	6.00	- 0.15	298.0		n/a	20.0	6.0	760.000	305.0	- 0.81	6.20	5.00	SMAJ
3200	320	6.00	- 0.15	303.0		n/a	20.0	6.0	770.000	310.0	- 0.81	6.20	5.00	SMAJ
3250	325	6.00	- 0.15	308.0		n/a	20.0	6.0	787.000	315.0	- 0.81	6.20	5.00	SMAJ
3300	330	6.00	- 0.15	313.0		n/a	20.0	6.0	800.000	320.0	- 0.89	6.20	5.00	SMAJ



SEALS UK LTD

- Part of Diploma PLC

M Seals UK Ltd,
Quartz Close, Enderby,
Leicester, LE19 4SG.

T: 0116 275 4720

F: 0116 275 4721

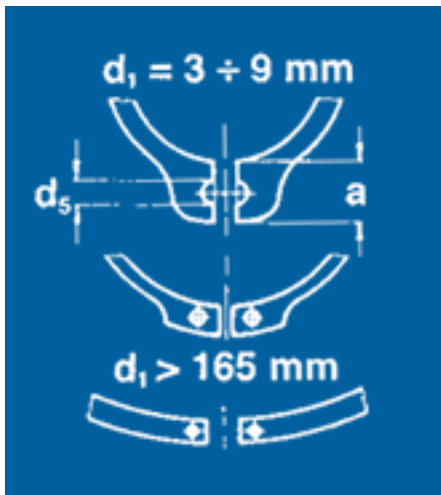
E: sales@m-seals.co.uk

W: www.m-seals.co.uk

D1400 CONTINUED

Ref. Number	Nominal Diameter (d1)	Thick-ness (s)	Circlip Dimensions				Groove Dimensions							Pliers
			Tolerance	Unstressed Diameter (d3)	Tolerance	Lug (a) max	Beam (b)~	Lug Hole (d5) min	Groove Diameter (d2)	Tolerance	Min Groove Width (m)	Radial Depth (t)	Shoulder Length (n)	
3350	335	6.00	- 0.15	318.0	+ 0.90 - 2.00	n/a	20.0	6.0	826.000	325.0	- 0.89	6.20	5.00	SMAJ
3400	340	6.00	- 0.15	323.0		n/a	20.0	6.0	840.000	330.0	- 0.89	6.20	5.00	SMAJ
3450	345	6.00	- 0.15	328.0		n/a	20.0	6.0	845.000	335.0	- 0.89	6.20	5.00	SMAJ
3500	350	6.00	- 0.15	333.0		n/a	20.0	6.0	850.000	340.0	- 0.89	6.20	5.00	SMAJ
3550	355	6.00	- 0.15	338.0		n/a	20.0	6.0	865.000	345.0	- 0.89	6.20	5.00	SMAJ
3600	360	6.00	- 0.15	343.0		n/a	20.0	6.0	880.000	350.0	- 0.89	6.20	5.00	SMAJ
3650	365	6.00	- 0.15	348.0		n/a	20.0	6.0	885.000	355.0	- 0.89	6.20	5.00	SMAJ
3700	370	6.00	- 0.15	353.0		n/a	20.0	6.0	890.000	360.0	- 0.89	6.20	5.00	SMAJ
3750	375	6.00	- 0.15	358.0		n/a	20.0	6.0	910.000	365.0	- 0.89	6.20	5.00	SMAJ
3800	380	6.00	- 0.15	363.0		n/a	20.0	6.0	930.000	370.0	- 0.89	6.20	5.00	SMAJ
3850	385	6.00	- 0.15	368.0		n/a	20.0	6.0	940.000	375.0	- 0.89	6.20	5.00	SMAJ
3900	390	6.00	- 0.15	373.0		n/a	20.0	6.0	950.000	380.0	- 0.89	6.20	5.00	SMAJ
3950	395	6.00	- 0.15	378.0		n/a	20.0	6.0	990.000	385.0	- 0.89	6.20	5.00	SMAJ
4000	400	6.00	- 0.15	383.0		n/a	20.0	6.0	1,040.000	390.0	- 0.89	6.20	5.00	SMAJ

Unstressed



Manufacturer's Choice

